

# 24024



## Pitch 0.4mm FPC Connectors - SMT Type

0.4mm



### PERFORMANCE

**Electrical Rating:** AC/DC 30V 1A

額定電壓電流

**Insulation Resistance:** 1000M $\Omega$  min.

絕緣阻抗

**Withstanding Voltage:** 250V AC/minute

耐電壓

**Temperature Range:** -40 $^{\circ}$ C~+85 $^{\circ}$ C

適用溫度



### CONNECTOR

**Part No.:** MSAK24024P40

產品編號

**Material:** Housing: LCP 94V-0

材質

**Contact Pin:** P.B.

接觸針

磷青銅

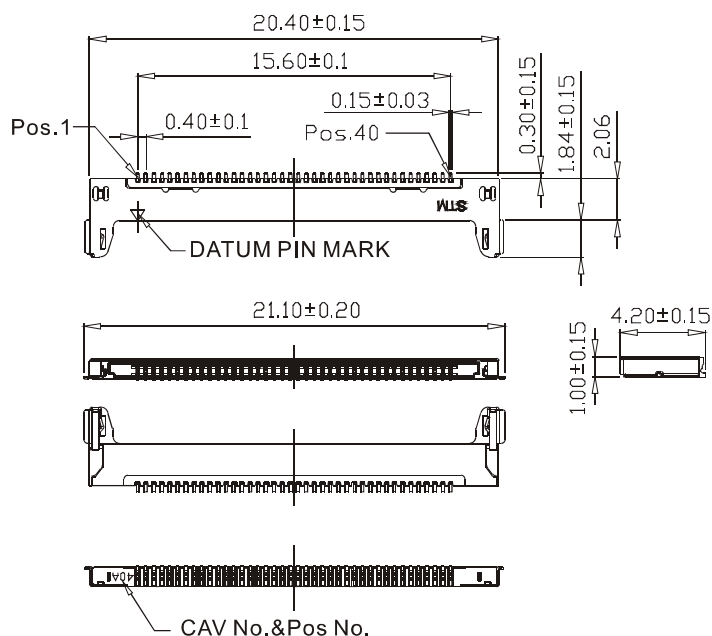
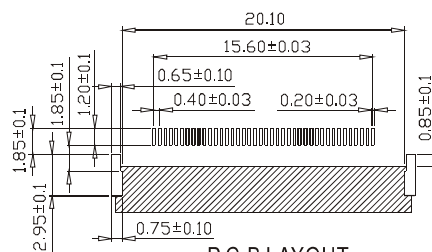
**Reinforcement:** Stainless Steel

補強片

不銹鋼

**Packing:** 2,000PCS (REEL)

包裝數量



TOLERANCE	
.0	$\pm$ 0.25
.00	$\pm$ 0.15
.000	$\pm$ 0.05

Release in conformity with continual product development policy. Sin Sheng (STM) reserves the right of specification changing of contents described in this catalogue at any time and without prior notice. Please contact the sales department nearby for most updated information.  
 出於產品持續開發政策, 亞盛STM保留隨時變更本目錄所述之規格之權利, 恕不另行通知, 請聯繫最近之銷售部以取得最新資訊。

# 24024 Wire to Board Connectors- SMT Type



0.4mm

## Embossed Carrier Tape Dimensional Drawing MSAK24024P40

